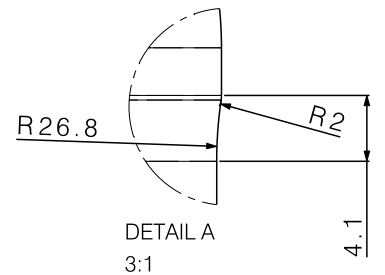
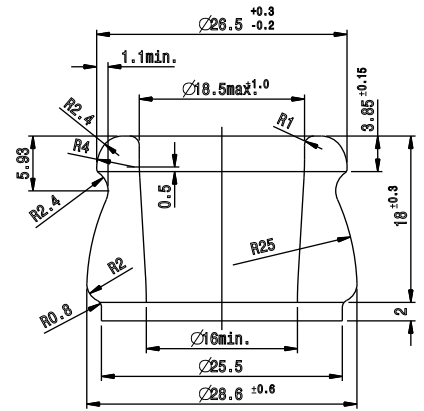
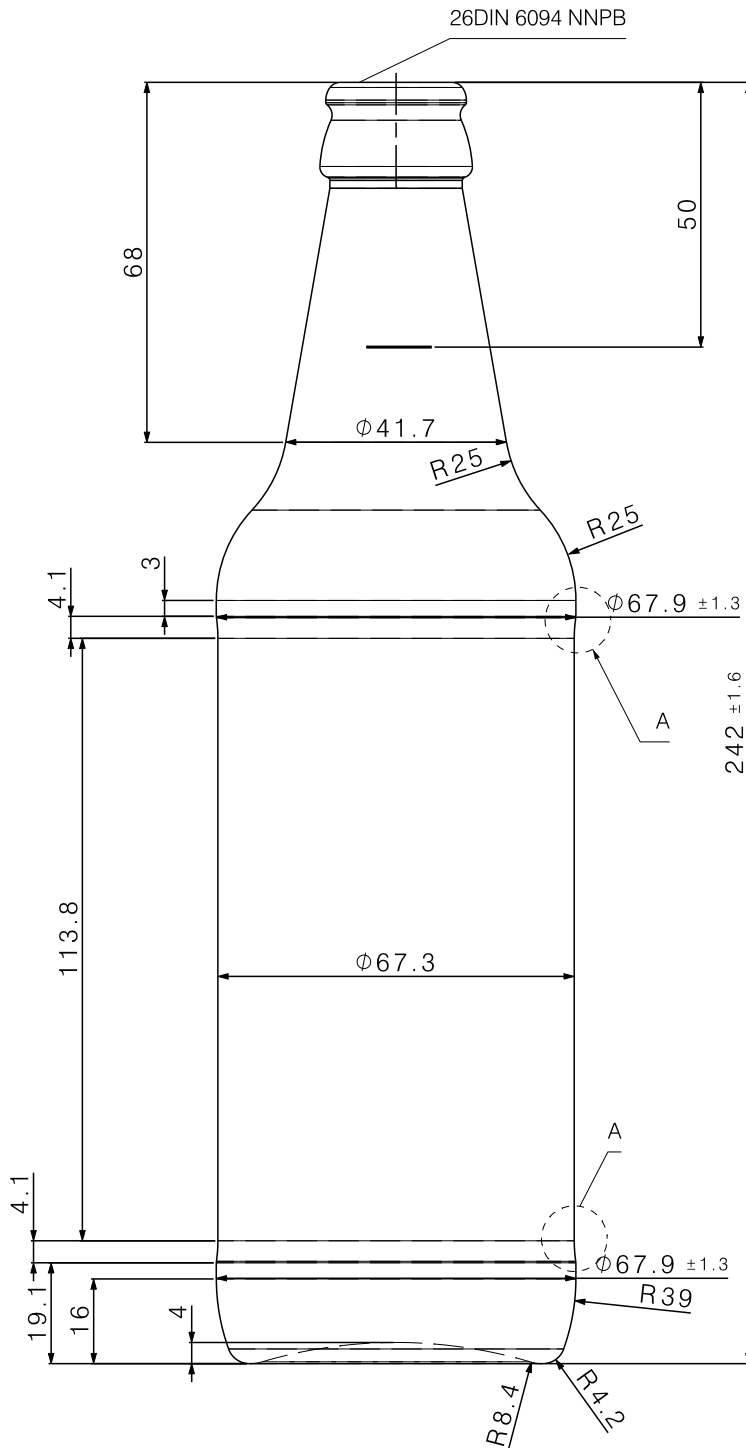


WARSAW 0.500



KMC
G L A S S



- ⌘ Warsaw – 0.500
- ⌘ Weight - 291
- ⌘ Filling CAP - 500 ml
- ⌘ Color - Amber
- ⌘ Diameter - 67.3
- ⌘ Entrance bore diameter - 18.5

www.kmc.glass
sales@kmc.glass

KMC
GLASS